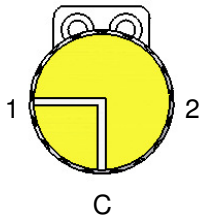


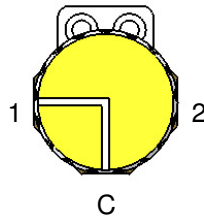
MICROFLUIDIC VALVES DIMENSIONS INCHES (MM)

DIMENSIONS SHOWN ARE THE SAME FOR C360-500 AND T132-500.
T132-500 VALVE IS MARKED 1/32" AT EACH PORT.

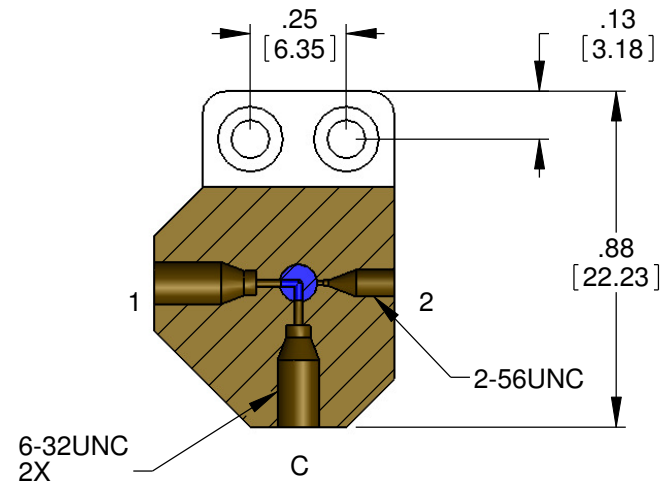
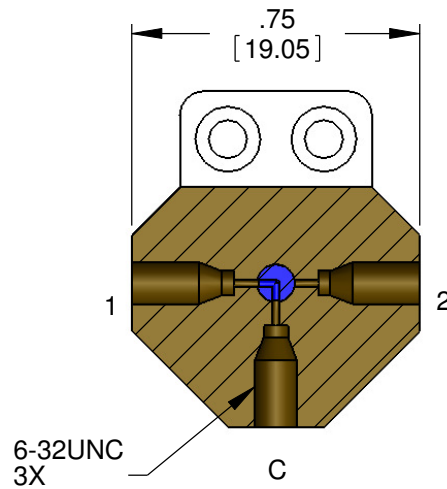
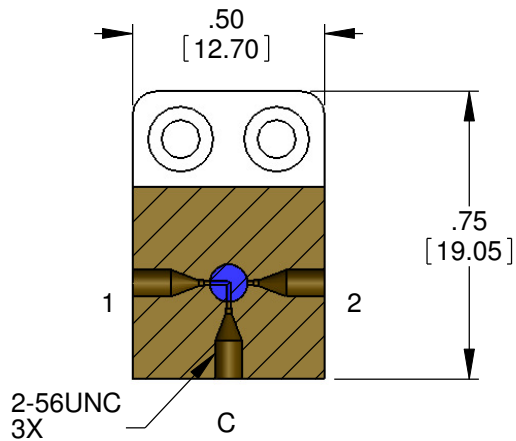
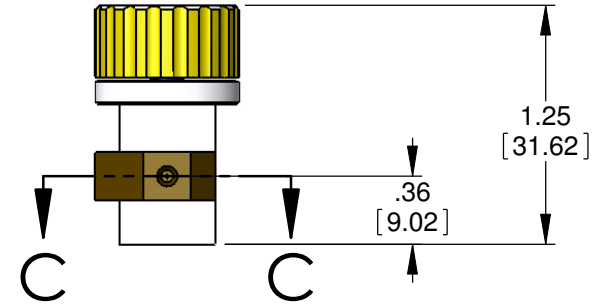
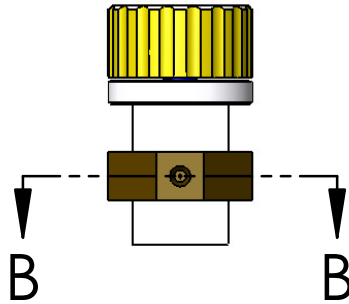
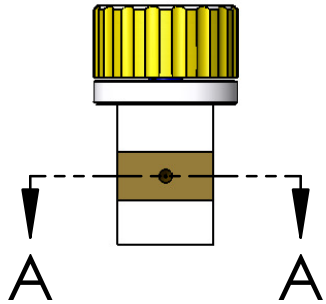
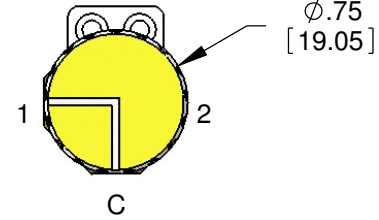
**C360-500
T132-500**



T116-500



T116-505



SECTION A-A
SCALE 2 : 1

SECTION B-B
SCALE 2 : 1

SECTION C-C
SCALE 2 : 1