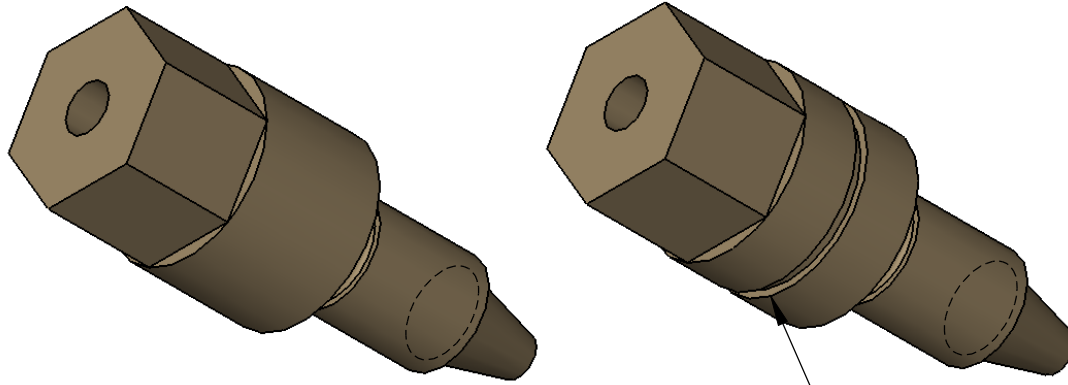


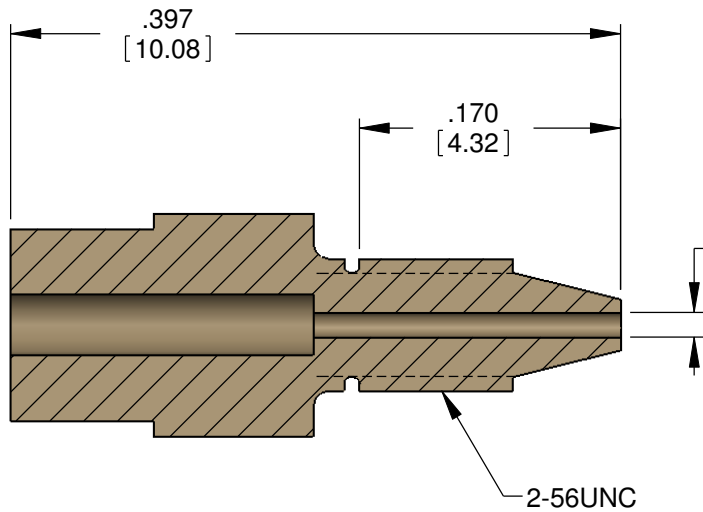
C360-100 AND T132-100 DIMENSIONS

INCHES
(MM)

MATERIAL: PEEK



T132-100 ONE-PIECE FITTING HAS SCRIBE LINE TO DISTINGUISH IT FROM C360-100 COMPONENT



THRU HOLE SIZED FOR
360um OR 1/32" TUBING

SECTION A-A

