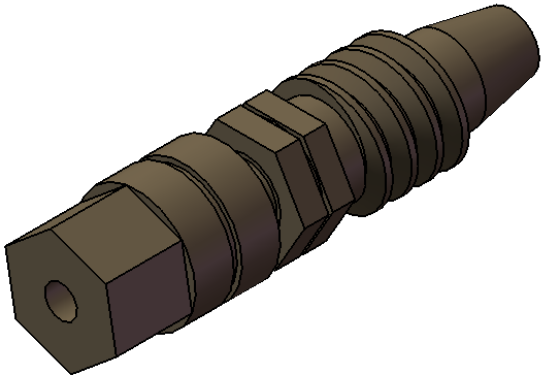


# T116-A360 AND T116-A132 ADAPTOR DIMENSIONS

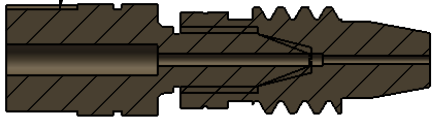
**INCHES**  
**(MM)**

MATERIAL: PEEK

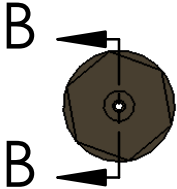
PART NUMBER	TUBING SIZE [FEMALE]	COMPONENT SIZE [MALE]
T116-A360	1/16"	360µm
T116-A132	1/16"	1/32"



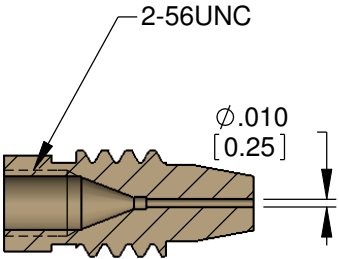
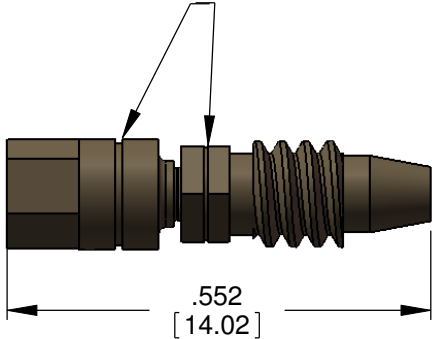
SEE C360-100 / A132-100 DRAWING FOR DETAILED DIMENSIONS OF THIS COMPONENT



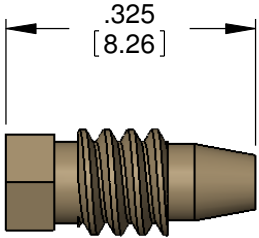
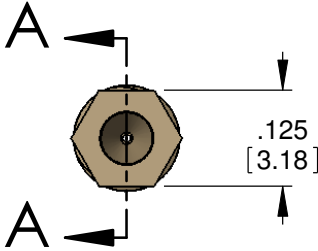
SECTION B-B  
SCALE 4 : 1



T116-A132 ADAPTOR HAS SCRIBE LINES TO DISTINGUISH IT FROM T116-A360



SECTION A-A  
SCALE 4 : 1



6-32UNC