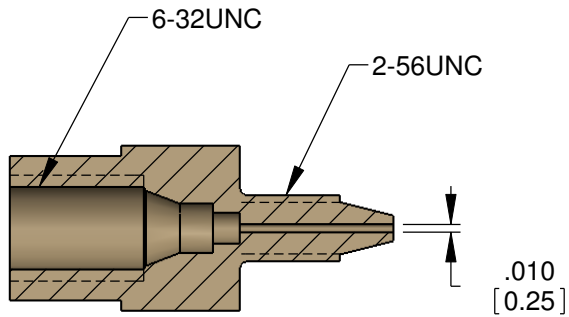
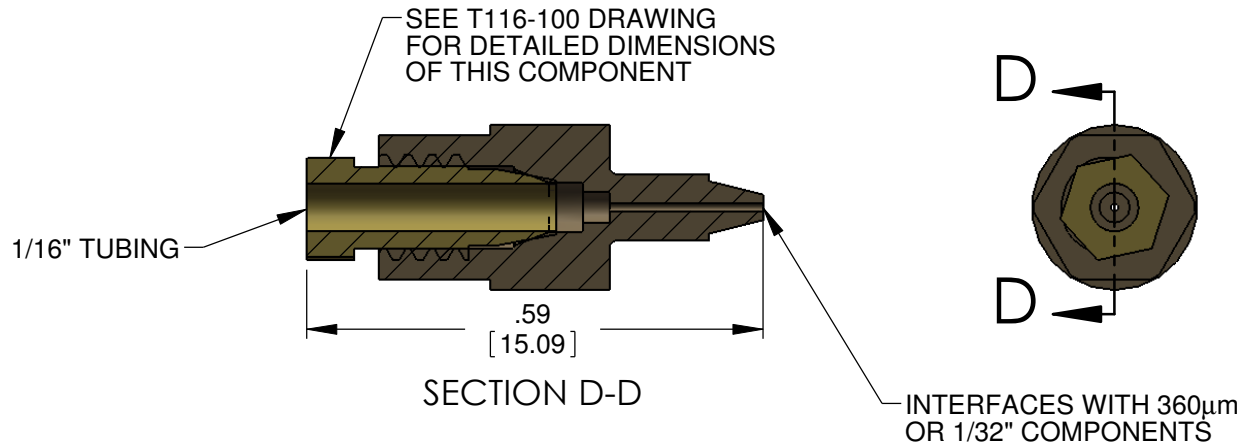


C360-A116 TWO-PIECE ADAPTOR FOR 1/16" TUBING

INCHES
(MM)

ADAPTOR IS COMPATIBLE WITH EITHER
360 μ m CAPILLARY OR 1/32" TUBING COMPONENTS

MATERIAL: PEEK



SECTION A-A

